



# Installation and Operation Instructions

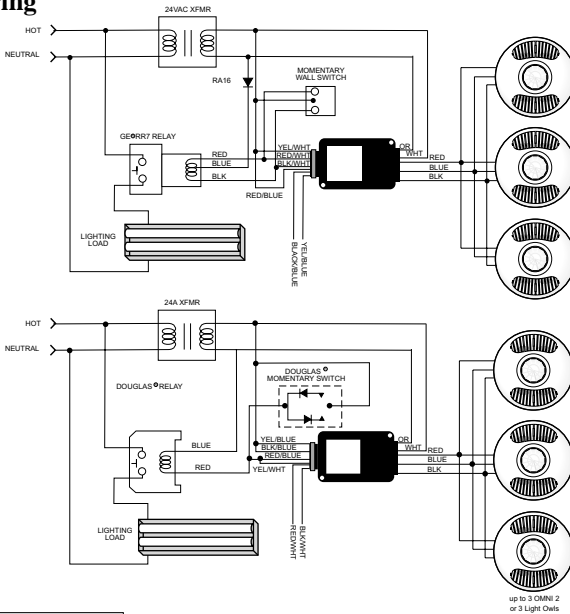
## MPO Series

### MPO Series High and Low Voltage Converters

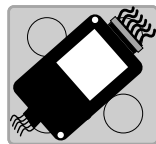
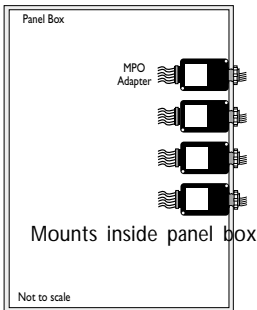


- Will interface with multiple OMNI and LightOwl sensors
- Mounts to standard 4" x 4" junction box externally through knockout with 2" EMT threaded nipple
- Fits inside junction box or standard fluorescent fixture ballast cavity
- Mounts with 6-32 x 13" pan head screws

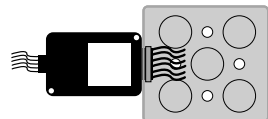
### Sensor Wiring



### Mounting



Mounts inside junction box (Low Voltage only)



Mounts outside junction box

**MYTECH Corporation** 706 Brentwood Street Austin, Texas 78752  
 512-450-1100 • 512-450-1215 Fax • [www.lightswitch.com](http://www.lightswitch.com)