



TC Series – Lighting Control Panels

TC8 Time Clock Contactor Replacement

KEY FEATURES

- 8 switch inputs
- 8 single-pole 20A, NO, relays
- Internal time clock with auto DST option
- Astronomical clock
- Keypad programming
- 2-line LCD backlit display with prompts
- Holiday schedules
- Timed inputs
- Master override switch: On/Auto/Off
- UL listed
- Multi-tap transformer: 120/277 VAC
- 2-year warranty

System Accessories

- Windows Software
- Contact Input Photocell
- Telephone Interface Module
- Serial Modem

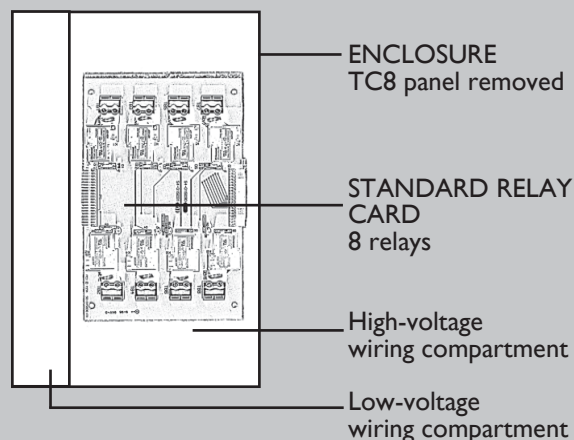
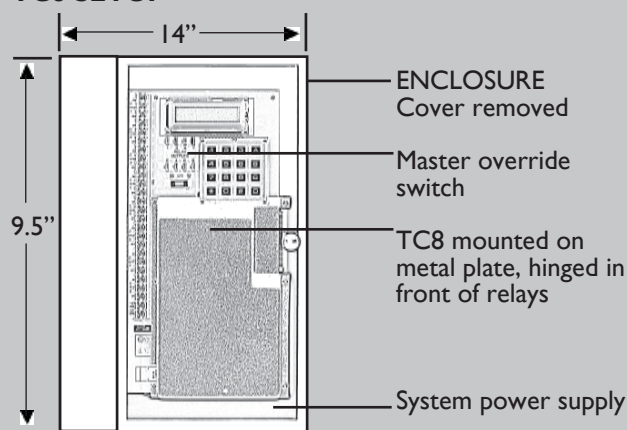
DESCRIPTION

The TC8 is designed for applications that would traditionally use a time clock in conjunction with contactors. The TC8 comes with 8 switch inputs and 8 20Amp relays, within a NEMA 1 enclosure. For fast and easy site installation, the TC8 comes fully assembled with all relays already in the enclosure. Simply mount the enclosure on a wall, and connect your relays and multi-tapped transformer.

The switch inputs program the local override capability of each relay. Inputs can be configured to accept momentary, maintained, or toggle switches. The TC8 also includes on-board keypad programming with a self-prompting, 2-line, 32-character LCD display and an RS-232 port.



TC8 SETUP



ENCLOSURE SPECIFICATIONS

TC8	<ul style="list-style-type: none">• NEMA 1; surface mount; lockable
TC8D	<ul style="list-style-type: none">• 14" x 9.5" x 5"
Relays	<ul style="list-style-type: none">• 14" x 9.5" x 9"• 8 1-Pole 120/277 VAC, 20A, NO, Relays (TC881P120277)• 8 1-Pole 347 VAC, 20A, NO, Relays (TC8D81P347)• 4 2-Pole 480 VAC, 20A, NO, Relays (TC8D42P480)
Master override	<ul style="list-style-type: none">• On/Auto/Off switch
Transformer	<ul style="list-style-type: none">• Multi-tapped, 120/277 VAC, 60Hz, internally fused
Power use	<ul style="list-style-type: none">• TC8 fully loaded panel: 40watts
Operating temperature	<ul style="list-style-type: none">• 0°–50° C (32°–122° F)

CONTROL PANEL SPECIFICATIONS

	<ul style="list-style-type: none">• Maximum of 8 relays• LED indicators for relay status and system operations• 2x16 32-character display with programming keypad• Master override switch: On/Auto/Off
Inputs	<ul style="list-style-type: none">• Programmable 8, dry-contact, switch inputs• Contact rating: 24VDC @ 12 mA• Momentary, Maintained, Alternate Action
Features	<ul style="list-style-type: none">• Astronomical clock• 64 time-of-day schedules• 32 holiday groups• Automatic daylight-savings-time adjustment• OFF warning: 1–99 minutes• Switch input timers: 1–999 minutes• Timed overrides: 1–999 minutes• Prioritization of switch inputs and time-of-day schedules• Local ON/OFF control of individual relays• Memory backup• One RS-232 port: RJ-11 connector for PC or modem
Programming	<ul style="list-style-type: none">• Keypad programming• Optional PC programming with off-line editor

HOW TO ORDER

Catalog Number	Description
TC881P120277	8 1-Pole 120/277VAC 20 Amp, NO, Relays, 120/277V AC Input
TC8D81P347	8 1-Pole 347VAC 20 Amp Relays, Latching, 120/277V AC Input
TC8D42P480	4 2-Pole 480VAC 20 Amp Relays, NO, 120/277V AC Input



Building Automation, Inc.

Hubbell Building Automation, Inc.
9601 Dessau Road | Building One | Austin, Texas 78754
{512} 450-1100 | {512} 450-1215 fax
hubbell-automation.com